

LOCKING SMART

OCS®SMART

PROTECT THEIR BELONGINGS AND THEIR HEALTH

The Bluetooth enabled OCS®SMART lock makes operating and managing your lockers easy and safe. Go touch-free and access your locker with your phone- no more keys, cards or codes to manage.

It's that simple.



MAIN FEATURES

- ✓ Touchless Bluetooth Operation
- ✓ Smartphone Apps (User & Manager)
- ✓ Wipe-clean Hygienic Touchpad
- ✓ Waterproof IP55 Rating
- ✓ Public and Private User Modes
- ✓ Easy, Cable-Free Installation
- ✓ Simple Integration: No Complicated Software
- ✓ SDK for (Optional) Integration with Your App
- ✓ Hi-Tech, Low-Profile Slimline Design



Smart Health



Smart Security



Smart Design



Smart Use



Keyless Operation



Wet Area Compatible



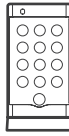
Smart Management



INTELLIGENT LOCKING SYSTEMS

GET THE OCS®SMART APP





LOCKING SMART

OCS®SMART

TECHNICAL SPECIFICATIONS

Authentication method	> Code and Bluetooth
Reading distance	> Up to 1 m (between phone and lock)
Communication standard	> Bluetooth
Batteries (Type and quantity)	> 4 VARTA Type AA alkaline batteries
Battery Life	> Up to 5 years at room temperature (depending on use and configuration)
Front handle dimensions	> 119 mm x 62 mm x 8 mm
Weight	> 453 g (E-17.5 long screws) > 481 g (E-30 long screws)
Lock strength	> 1000 N
Finish	> Silver RAL 9006 > Graphite Pantone 8405 > White AP-2101 DAYSALUX 554
Temperature	> From -10 °C to 42 °C (indoors)
Humidity	> < 97 % (Non-condensing)
Protection	> IK09 / IP56

Door material	> Laminate > Glass > Metal > HPL laminate > Melamine
Door thickness	> < 28mm
Availability	> Right/Left (Both) E-17.5 and E-30

ACCESSORIES

- > Maintenance App
- > Emergency key
- > Battery change key



OCS®SMART Graphite



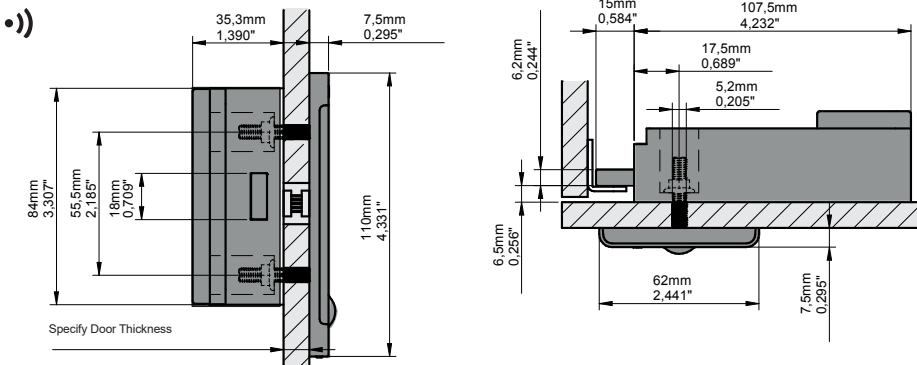
OCS®SMART Silver



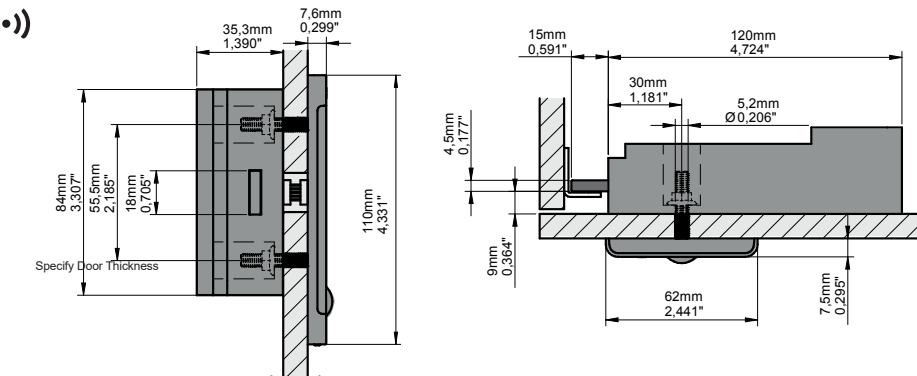
OCS®SMART White

ASSEMBLY

OCS®SMART E-17,5



OCS®SMART E-30



INTELLIGENT LOCKING SYSTEMS

ojmar.com

ojmar.us

